



MITE 71  
High Pass or Low Pass  
Pneumatic Selecting Relay

---

- Factory setting for “HIGH” or “LOW” selector is indicated by “H” or “L” stamped on body.
- Instrument input is at ports “A” and “B”. Selected signal appears at port “C”.

## INSTRUCTIONS FOR CHANGING SIGNAL SETTING

### A. For selecting “HIGH” pressure signal:

1. Remove 6 cap screws. Separate upper and lower cases.
2. Place the two O-rings, one on either side of diaphragm, into the inside grooves adjacent to the diaphragm. Reassemble.
3. Plug port “C”. Apply pressure, not over 5 psig, to port “A”. Tighten adjusting screw on side “B” until port “B” starts to leak. Then loosen adjusting screw slowly until leakage stops.
4. Apply not over 5 psig to port “B”. Tighten adjusting screw on side “A” until port “A” starts to leak. Then loosen adjusting screw slowly until leakage stops.

### B. For selecting “LOW” pressure signal:

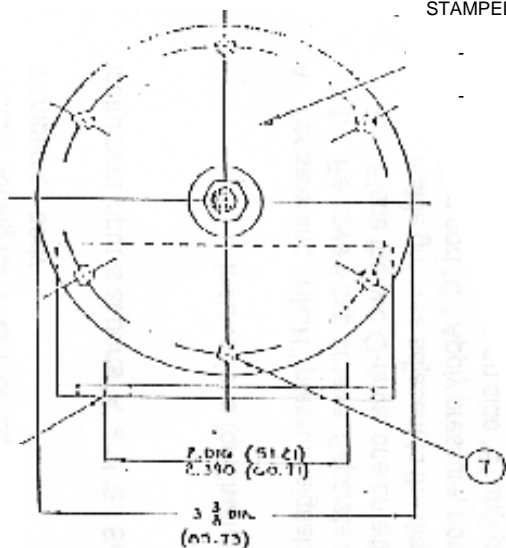
1. Remove 6 cap screws. Separate upper and lower cases.
2. Place the two O-rings, one on either side of diaphragm, into the outside grooves away from the diaphragm. Reassemble.
3. Apply pressure, not over 5 psig, to port “A”. Tighten adjusting screw on side “B” until port “B” and/or “C” starts to leak. Then loosen adjusting screw slowly until leakage stops.
4. Apply not over 5 psig to port “B”. Tighten adjusting screw on side “A” until port “A” and/or “C” starts to leak. Then loosen adjusting screw slowly until leakage stops.

## LIMITED WARRANTY & DISCLAIMER

ControlAir, Inc. products are warranted to be free from defects in materials and workmanship for a period of eighteen months from the date of sale, provided said products are used according to ControlAir, Inc. recommended usages. ControlAir, Inc.'s liability is limited to the repair, purchase price refund, or replacement in kind, at ControlAir, Inc.'s sole option, of any products proved defective. ControlAir, Inc. reserves the right to discontinue manufacture of any products or change products materials, designs or specifications without notice. Note: ControlAir does not assume responsibility for the selection, use, or maintenance of any product. Responsibility for the proper selection, use, and maintenance of any ControlAir product remains solely with the purchaser and end user.

STAMPED ON THIS SURFACE

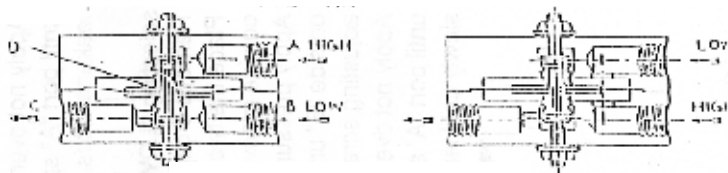
- SUPER MITE 71L
- SUPER MITE 71H



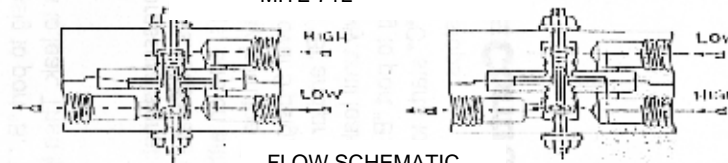
2 HOLES  
9/32 (7.14) X  
15/32 (11.91)  
ELONGATION

3 3/8"  
(85.73)

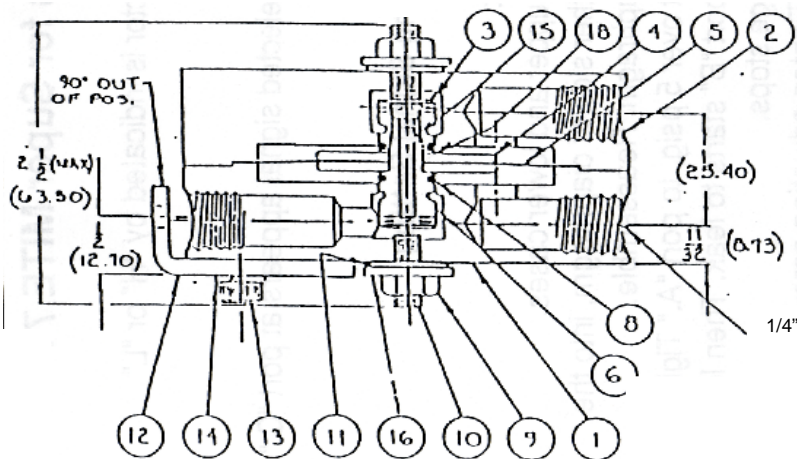
SELECTING HIGH SIGNAL  
MITE 71H



SELECTING LOW SIGNAL  
MITE 71L



FLOW SCHEMATIC



SCALE 1/2 : 1

NOTES:

- 1) PRESSURE RATING: 100 PSIG
- 2) TEMPERATURE RATING: 40°F TO + 180°F  
(18.27°C TO 82.2°C)

RECOMMENDED SPARE PARTS

| ITEM QTY.  | DESCRIPTION        | MATERIAL        |
|------------|--------------------|-----------------|
| 10 1       | GASKET             | TFE             |
| 16 2       | WASHER             | ST. ST'L        |
| 15 1       | PIN                | ST. ST'L        |
| 14 2       | LOCKWASHER         | ST. ST'L        |
| 13 2       | SOX. HD. CAP SCREW | STEEL           |
| 12 1       | BRACKET            | ALUMINUM        |
| 11 2       | TIRE DSEAL         | MISC.           |
| 10 2       | ADJUSTING SCREW    | STEEL           |
| 9 2        | LOCKNUT            | ST. ST'L        |
| 8 2        | O-RING             | BUNA-N          |
| 7 4        | SOX. HD. CAP SCREW | STEEL           |
| 6 1        | SPOOL ADAPTOR      | ALUMINUM        |
| 5 1        | DIAPHRAGM          | NYL. REIN. NICO |
| 4 2        | DIAPHRAGM DISC.    | ALUMINUM        |
| 3 1        | SPOOL              | ALUMINUM        |
| 2 1        | UPPER CASE         | ALUMINUM        |
| 1 1        | LOWER CASE         | ALUMINUM        |
| PARTS LIST |                    |                 |