

Type 330

Instrument Air Filter Regulator

Field rugged airset in a down-sized package

The Type 330 Instrument Air Filter Regulator is designed to provide clean, accurate air pressure to instruments, valves, and other automatic control equipment in a lightweight, compact housing. This filter regulator has been constructed of durable materials that will provide long lasting corrosion resistance in harsh industrial environments.

FEATURES

Compact and Light Weight Construction

Will mount where competitive units won't

Second Gauge Port Option

Allows easier and lower cost mounting and plumbing connections

Direct, Pipe or Bracket Mounting

Compatible for field replacements of other brands

Low Air Consumption

Lower operating costs

Tapped Exhaust Option

Rugged, Corrosion Resistant Design

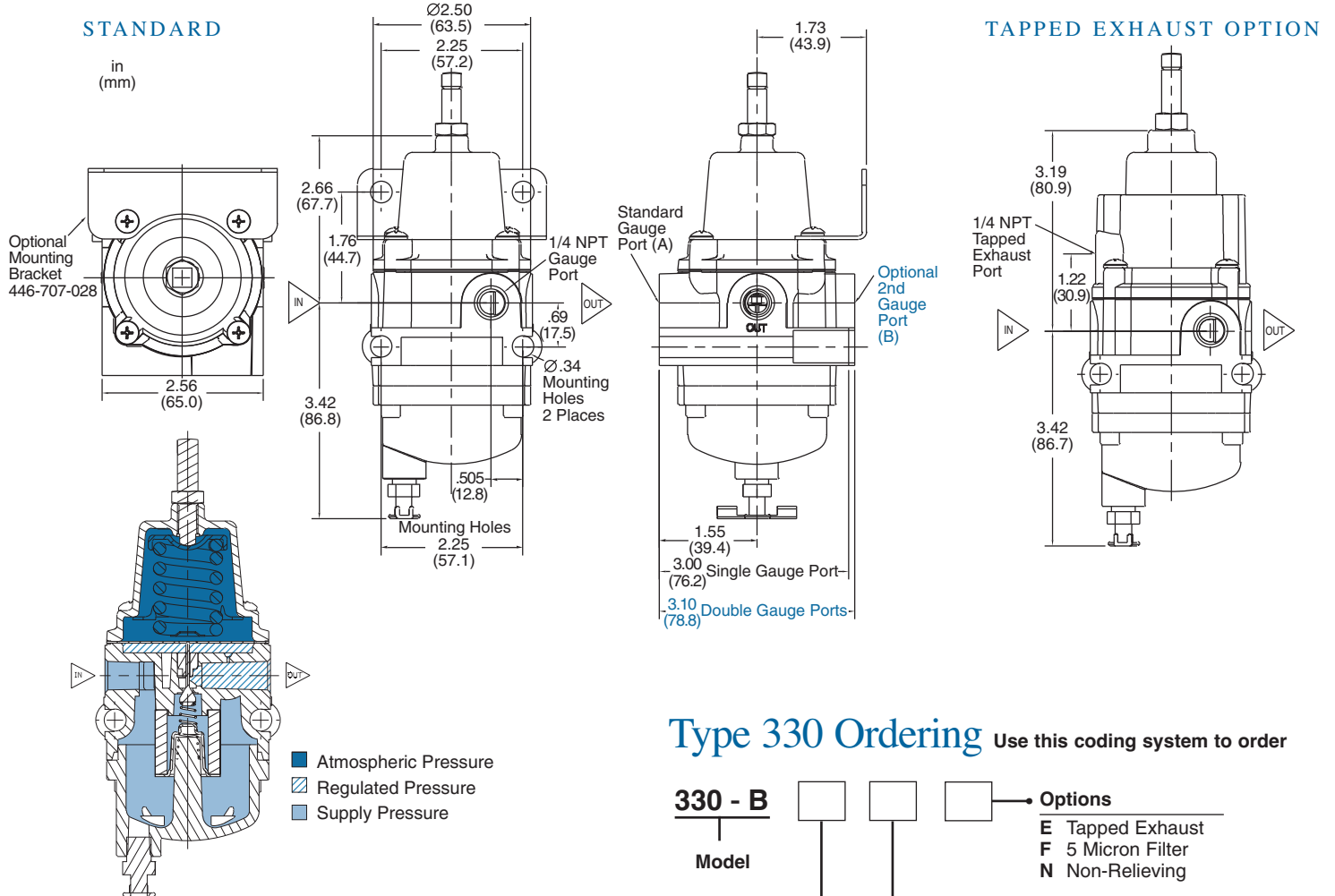
Functional for harsh service conditions



Type 330
One Gauge Port

Type 330
Two Gauge Ports

Type 330 Dimensions



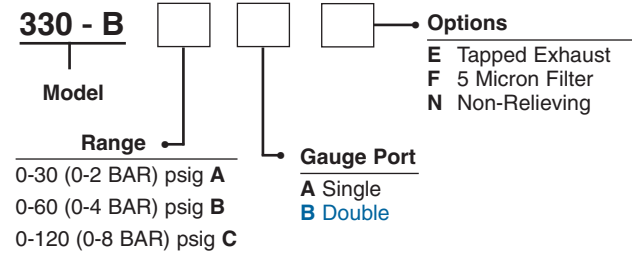
SPECIFICATIONS

Port Size	In/Out/Gauge: 1/4" NPT
Output Ranges	0-30 psig (0-2 BAR), 0-60 psig (0-4 BAR), 0-120 psig (0-8 BAR)
Maximum Supply Pressure	250 psig (17 BAR)
Mounting	Pipe, bracket or through body direct
Filter	40 micron (optional 5 micron)
Flow Capacity	22 scfm (37 m3/hr) at 100 psig (7 BAR) supply with 20 psig (1.4 BAR) output
Exhaust Capacity	0.1 scfm (0.2 m3/hr) with downstream pressure 5 psig (0.3 BAR) above set point
Sensitivity	1" of water
Air Consumption	Less than 5 scfh (0.2 m3/hr)
Effect of Supply Pressure Variation	Less than 0.2 psig (0.01 BAR) for 25 psig (1.7 BAR) change
Temperature Limits	0° to 160° F (-18° C to 71° C)
Weight	1.2 lb (0.45 kg)

MATERIALS

Body	Diecast Aluminum Alloy, Iridide and Baked Epoxy Finish
Filter	Phenolic Impregnated Cellulose
Diaphragm	Nitrile Elastomer and Nylon Fabric
Valve Seat Plug	Nitrile Elastomer
Additional Materials	Brass, Zinc Plated Steel, Acetal

Type 330 Ordering Use this coding system to order



Accessories

Mounting Bracket:	P/N 446-707-028
Gauges: 1/4" NPT back-mount, 2" face, Dual Scale	
0-15 psi (0-1 BAR)	P/N 446-725-003
0-30 psi (0-2 BAR)	P/N 446-725-004
0-60 psi (0-4 BAR)	P/N 446-725-001
0-160 psi (0-10 BAR)	P/N 446-725-002

Warranty

ControlAir, Inc. products are warranted to be free from defects in materials and workmanship for a period of eighteen months from the date of sale, provided said products are used according to ControlAir, Inc. recommended usages. ControlAir, Inc.'s liability is limited to the repair, purchase price refund, or replacement in kind, at ControlAir, Inc.'s sole option, of any products proved defective. ControlAir, Inc. reserves the right to discontinue manufacture of any products or change products materials, designs or specifications without notice. Note: ControlAir does not assume responsibility for the selection, use, or maintenance of any product. Responsibility for the proper selection, use, and maintenance of any ControlAir product remains solely with the purchaser and end user.



8 Columbia Drive / Amherst, NH 03031 USA
 Website: www.controlair.com
 Email: sales@controlair.com
 603-886-9400 FAX 603-889-1844

